

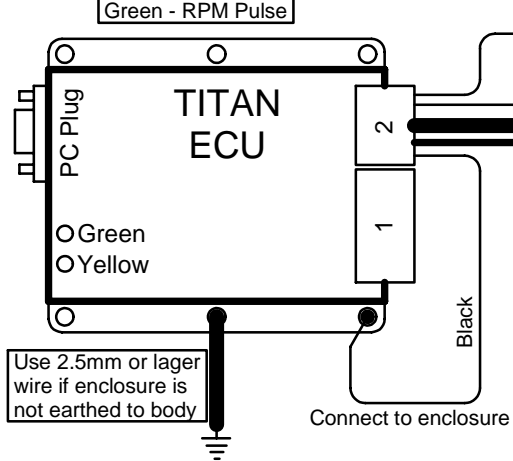
E21 6Cyl 1Coil 3Inj

Last Changed: 20/05/2011

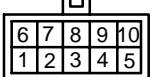
Drawing Ver: 1.0

Ign+
| Ignition Power
⏏ Earth
Terminal Connections with the same name are tied together

Led's Functions
Yellow - Power
Green - RPM Pulse

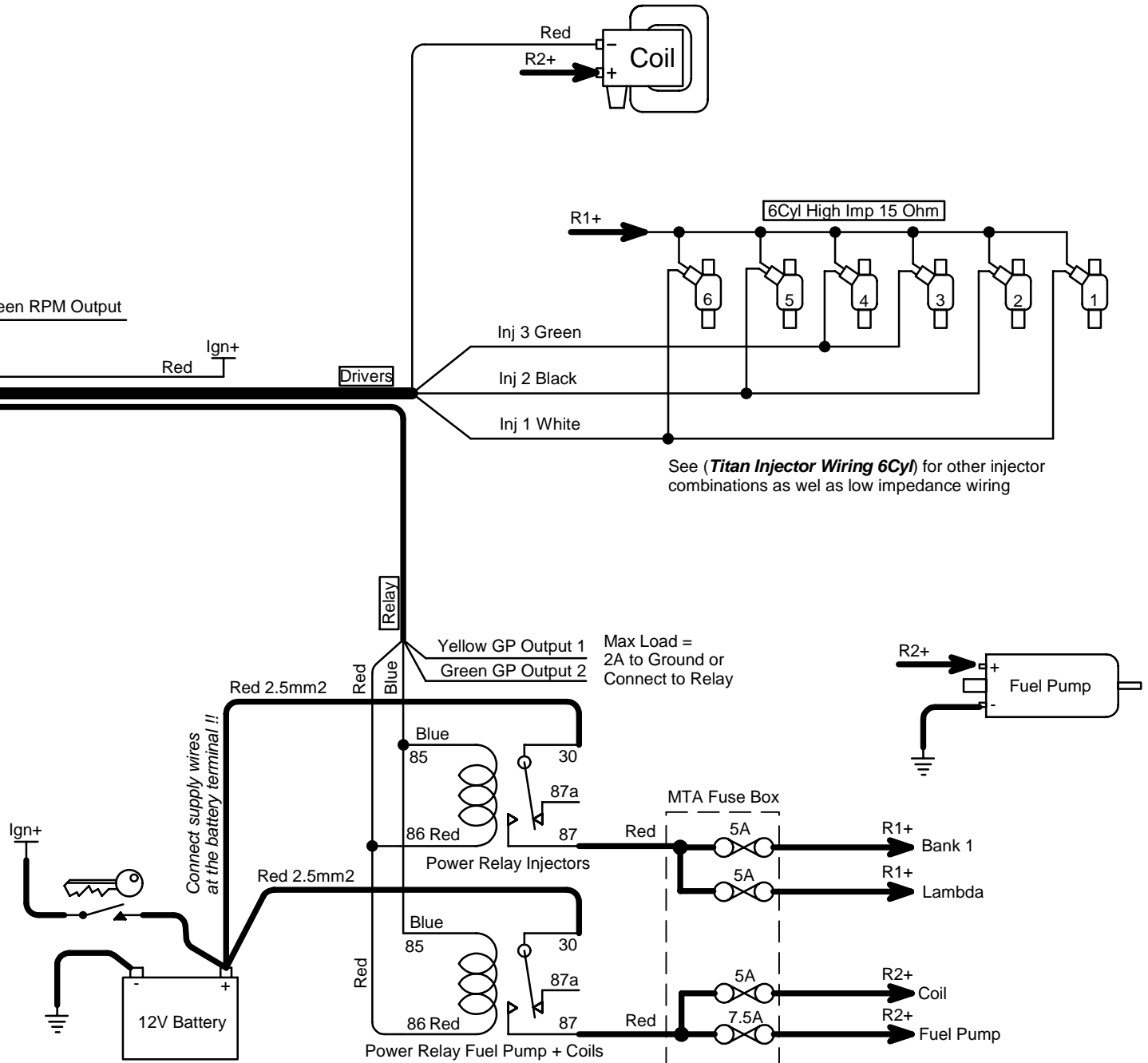


Connector Pinouts



Harness Pin View

- 1. Blue -
- 2. Green - Inj Dr3
- 3. White - Inj Dr1
- 4. Blue - Fuel Relay
- 5. Yellow - GP Output 1
- 6. Red - Coil 1
- 7. Yellow -
- 8. Black - Inj Dr2
- 9. Green - RPM Output
- 10. Green - GP Output 2



Max Load =
2A to Ground or
Connect to Relay